

● FEATURES

- SUITABLE FOR TIME OF DAY CLOCKS
- IDEAL FOR HIGH DENSITY PACKAGING APPLICATION
- SMALL AND COMPACT PACKAGE
- RoHS COMPLIANT /LEAD FREE

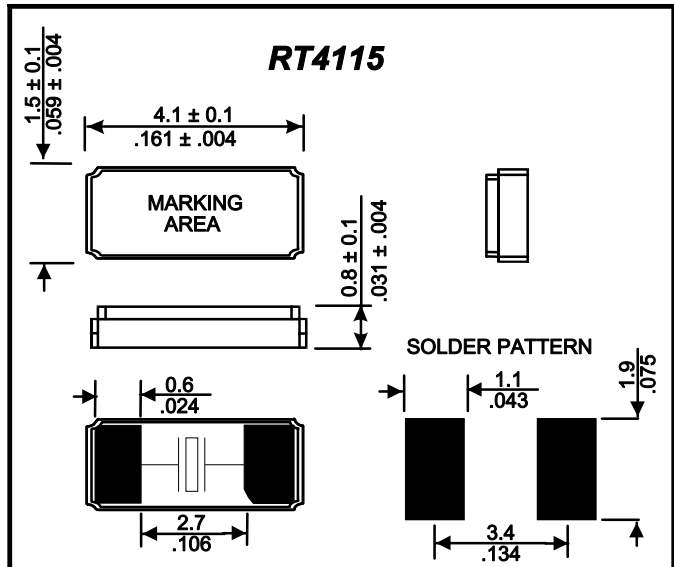
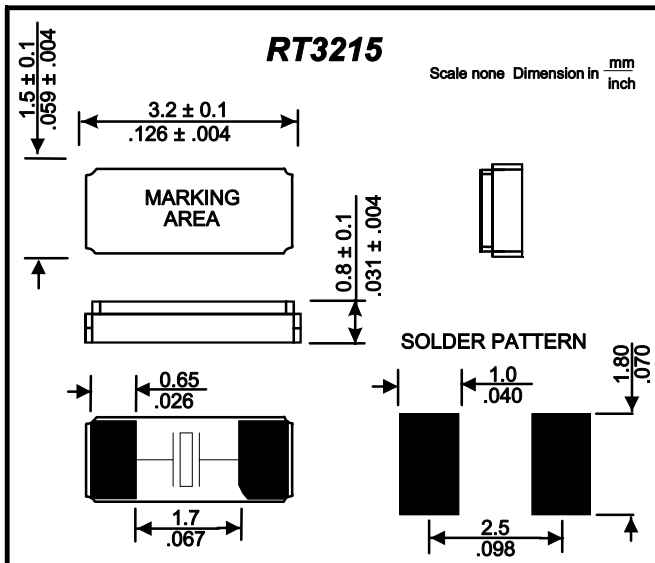


● SPECIFICATIONS

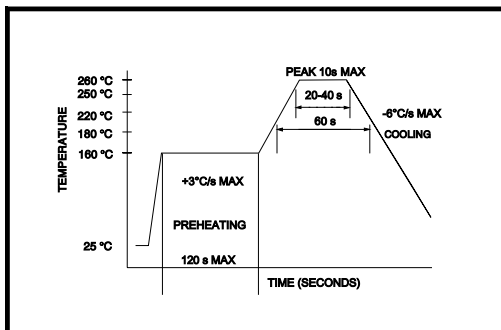
| | | |
|------------------------------------|--|--|
| NOMINAL FREQUENCY | RT3215 | |
| NOMINAL FREQUENCY | 32.768 KHz | |
| FREQUENCY TOLERANCE | ±20 PPM MAX AT +25°C | |
| TURNOVER TEMPERATURE | +25 ±5°C | |
| TEMPERATURE COEFFICIENT | -0.04 X 10 ⁻⁶ / °C ² MAX | |
| SHUNT CAPACITANCE | 1.5pF TYP | |
| LOAD CAPACITANCE | 12.5pF(STANDARD), 9pF | |
| EQUIVALENT SERIES RESISTANCE (ESR) | 80 K OHM MAX | |
| DRIVE LEVEL | 1.0 μW MAXIMUM | |
| OPERATING TEMPERATURE RANGE | -40°C TO +85°C | |
| STORAGE TEMPERATURE RANGE | -40°C TO +85°C | |
| INSULATION RESISTANCE | 500 M OHMS MIN | |
| AGING | ±3 PPM PER YEAR | |



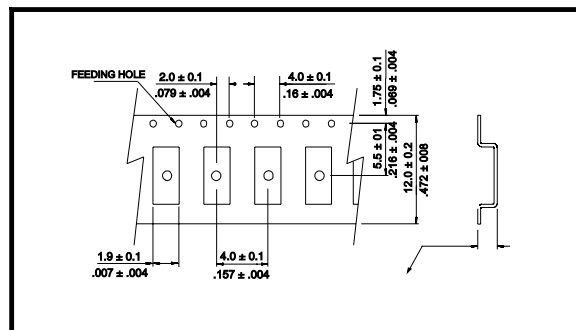
● OUTLINE DRAWINGS



● REFLOW SOLDERING PROFILE



● TAPE DIMENSIONS



● PART NUMBERING

EX: RT4115-32.768-12.5-TR, RT3215-32.768-9-TR

● PACKAGING

3,000 PCS PER REEL; 180 +0/-3.0 mm REEL DIAMETER, 9.0 ± 0.3 mm TAPE WIDTH, 4.0 ± 0.1 mm PITCH