

- **FEATURES**
 - ULTRA SMALL PACKAGE
 - EXCELLENT FOR HIGH DENSITY PACKAGING
 - SUITABLE FOR REFLOW SOLDERING

SERIES CO43 AND 46

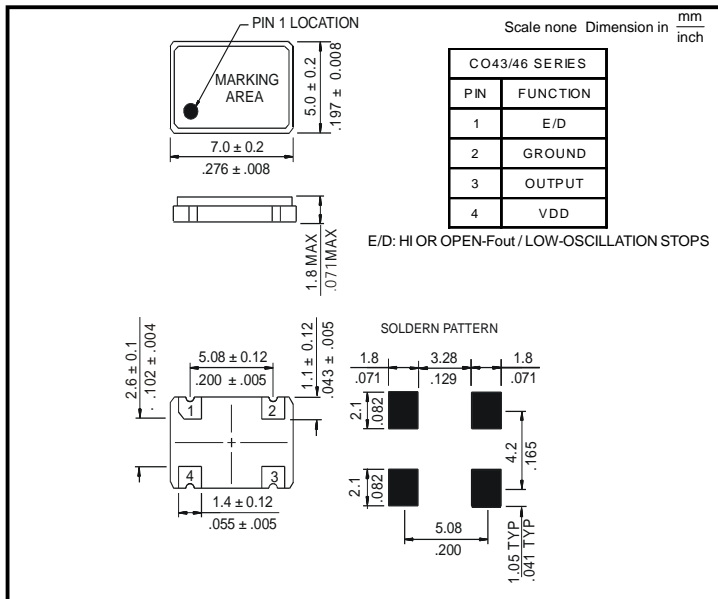
- **SPECIFICATIONS**

SERIES		CO43	CO46
PARAMETER			
FREQUENCY RANGE		1.000 MHz TO 50.000 MHz	50.000 MHz TO 156.250 MHz
FREQUENCY STABILITY †		±100 PPM ±50 PPM ±25 PPM * ±20 PPM *	
TEMPERATURE RANGE	OPERATING	-10°C TO +70°C	
	EXTENDED	-40°C TO +85°C	
	STORAGE	-55°C TO +125°C	
INPUT	VOLTAGE	+3.3 VDC ±10%	
	CURRENT, MAX	25 mA MAX	45 mA MAX
OUTPUT	LOAD	5 TTL MAX OR 20 pF CMOS	5 TTL MAX OR 15 pF CMOS
	SYMMETRY	NORMAL: 40% TO 60% TIGHT: 45% TO 55%	
	LEVEL	LOGIC "0": 0.4 VDC MAX LOGIC "1": 2.8 VDC MIN	LOGIC "0": 0.5 VDC MAX LOGIC "1": 2.8 VDC MIN
	RISE/FALL TIME (20% to 80%)	1.00 MHz TO 10.00 MHz: 5 ns 10.10 MHz TO 30.00 MHz: 4 ns 30.10 MHz TO 50.00 MHz: 3 ns 50.10 MHz TO 80.00 MHz: 2.5 ns 80.10 MHz TO 156.250 MHz: 2 ns	
	JITTER	1.0 ps RMS (1σ), 12kHz < Fj < 20MHz	
ENABLE/DISABLE FUNCTION		PIN 1: HIGH (+2.2 VDC MIN) PIN 3: ENABLED PIN 1: LOW (+0.8 VDC MAX) PIN 3: DISABLED (HIGH IMPEDANCE)	

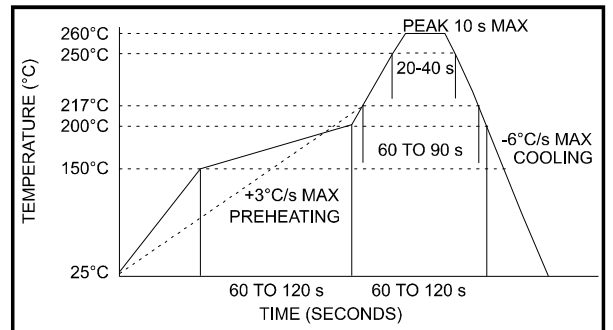


† INCLUSIVE OF 25°C TOLERANCE, OPERATING TEMPERATURE RANGE, VOLTAGE OR LOAD CHANGES, AGING, SHOCK AND VIBRATION
 * STABILITY OVER TEMPERATURE ONLY AT -40°C TO +85°C

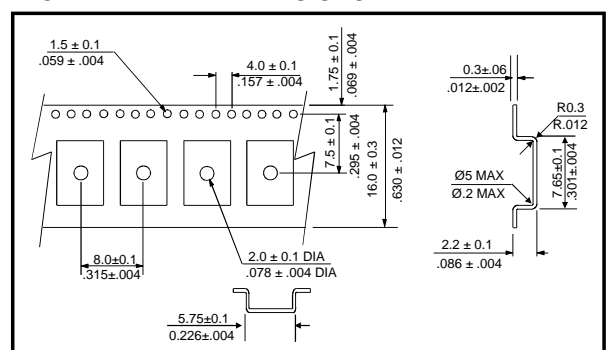
- **OUTLINE DRAWING**



- **REFLOW SOLDERING PROFILE**



- **CARRIER TAPE DIMENSIONS**



- **PACKAGING**

254 mm REEL DIAMETER, 16mm TAPE WIDTH, 8mm PITCH
 QUANTITY: 1000 PIECES PER REEL

- **PART NUMBERING SYSTEM**

SERIES	FREQUENCY STABILITY	FREQUENCY	EXTENDED TEMPERATURE	TIGHT SYMMETRY	TAPE AND REEL
CO43	10 ±100 PPM	IN MHz	EXT EXTENDED (-40°C TO +85°C)	T TIGHT SYMMETRY (45-55%)	TR
CO46	05 ±50 PPM				
	025 ±25 PPM				
	02 ±20 PPM				

EXAMPLE: CO4305-32.000-TR, CO4610-50.000-T-TR